

HCC474M

www.honeywellvideo.com

MINIATURE, HIGH RESOLUTION COLOR CAMERA

The HCC474M is the next step in camera evolution. It boasts a wide range of advanced features within its ultra-miniature frame. Don't let its size fool you; it may be smaller, but the HCC474M outperforms cameras four times its size.

Using a 1/3", low-light CCD sensor, the HCC474M provides excellent color performance in extremely low light, down to 0.4 lux (F1.2). Being a quarter of the size of traditional cameras, it's also perfect for tight spaces and small housings.

What sets the HCC474M apart from the competition is its feature set. With an on-screen display for setup and adjustment, you get the perfect shot on every installation. Unlike other small-sized cameras, the HCC474M includes a switching 12 VDC or 24 VAC power supply with line lock and digital phase adjustment, as well as 6-zone backlight compensation, 24-character text display, adjustable white balance modes and more.

Market Opportunities

The Honeywell HCC474M is designed for unobtrusive, high resolution surveillance applications that require a small camera where high quality video in low light conditions are needed. This includes general indoor surveillance applications in retail, financial, gaming, and other commercial markets.

Features

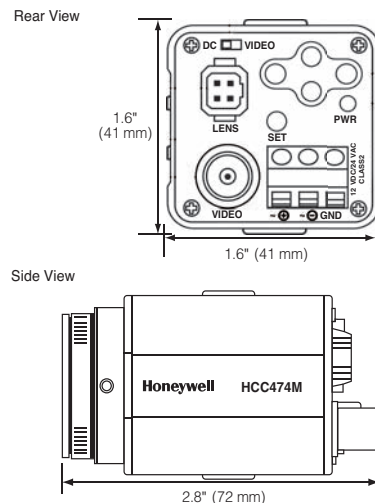
- High performance 1/3" CCD with DSP
- On-screen display menu and adjustment
- 470 TV lines of resolution
- High sensitivity (0.4 lux at F1.2, contrast "on")
- Digital backlight compensation with 6 sensing zones
- Small footprint, 1.6" (W) x 1.6" (H) x 2.8" (D)
- Auto electronic shutter modes from 1/60 to 1/100,000 second
- Three mode white balance, ATW/AWC/Manual
- Text display, 24 alphanumeric characters
- Variable gamma, brightness, and color control
- 12 VDC/24 VAC with line lock
- Digital phase adjustment
- C/CS lens mount
- DC, Video and Manual Iris lens support



SPECIFICATIONS

Operational	
Video Standard	NTSC
Scanning System	525/60 lines
Image Sensor	1/3" Interline Transfer CCD
Number of Pixels (H x V)	768 x 494
Minimum Illumination	0.4 lux @ F1.2 (50 IRE)
Horizontal Resolution	470 TVL
Video Output	1.0 Vp-p @ 75 Ohms
Sync System	12 VDC: Internal 24 VAC: Line lock, Internal
S/N Ratio	50 dB (AGC off)
Auto Gain Control	Off/on switch (0 – 32 dB max)
ALC	Adjust (with direct drive Auto Iris lenses)
Automatic Electronic Shutter	1/60 – 1/100,000 sec
White Balance	ATW/AWC/Manual
Gamma	Adjustable
Line Lock Phase Adjust	Adjustable line lock vertical phase
BLC	On/off, 6 Sensing zones
Electrical	
Input Voltage	12 VDC/24 VAC
Input Range	10 - 14 VDC, 20 - 28 VAC
Surge Suppression	1.5 kW transient
Power Consumption	3 W (max)
Mechanical	
Dimensions (W x H x D)	1.6" x 1.6" x 2.8" (41 mm x 41 mm x 72 mm)
Weight	0.35 lb (0.16 kg) camera only
Construction	Housing: Aluminum Finish: Charcoal powder coat
Camera Mount	1/4 – 20 UNC (top and bottom)
Lens Mount	C/CS adjustable mounting ring
Connector	Video Output: BNC connector Lens: 4-pin connector Power Input: 3-pin screw terminal
Power Indicator	LED

Environmental			
Temperature	Operating: 14°F to 122°F (-10°C to 50°C) Storage: -4°C to 140°F (-20°C to 60°C)		
Relative Humidity	< 85%, non-condensing		
Regulatory			
Emissions	FCC, CE (EN55013)		
Immunity	CE (EN50130-4)		
Safety	EU: 73/23/EEC LVD		
Accessories:			
Recommended Lens Options			
HLD25V6F12L	2.5 – 6 mm, F1.2, DC Auto Iris lens		
HLD28V8F95L	2.8 – 8 mm, F0.95, DC Auto Iris lens		
HLD27V13DNL	2.7 – 13.5 mm, F1.3, Aspherical Vari-focal lens		
HLD5V50F13L	5.0 – 50 mm, F1.3, DC Auto Iris lens		
Housings and Mounts			
HBC5WT	Wall/Ceiling Mount Bracket		
HHC12 Series	Environmental Housing		
Transformers			
HPT2420	24 VAC, 20 VA Class 2 plug-in with thermal cut-out		
HPT12DC500	12 VDC, 500 mA plug-in regulated 2.1 mm coaxial plug UL Listed/CSA Certified		
Power Supplies			
UL Listed	Fused	Smart Fused	Description
HPTV2404UL	HPTV2404	HPTV2404CB	4 A, 4 Output
HPTV2408UL	HPTV2408	HPTV2408CB	4 A, 8 Output
HPTV2416UL	HPTV2416	HPTV2416CB	8 A, 16 Output



Ordering	
HCC474M	1/3" CCD, High Resolution Miniature Camera with DSP, 470 TVL, 0.4 lux, 12 VDC/24 VAC, NTSC

NOTE: Honeywell reserves the right, without notification, to make changes in product design or specifications.

Honeywell Security

Honeywell Video Systems
2700 Blankenbaker Pkwy, Suite 150
Louisville, KY 40299
1.800.796.CCTV
www.honeywell.com

HV05268
L/HCC474M/D
August 2006
© 2006 Honeywell International Inc.

Honeywell